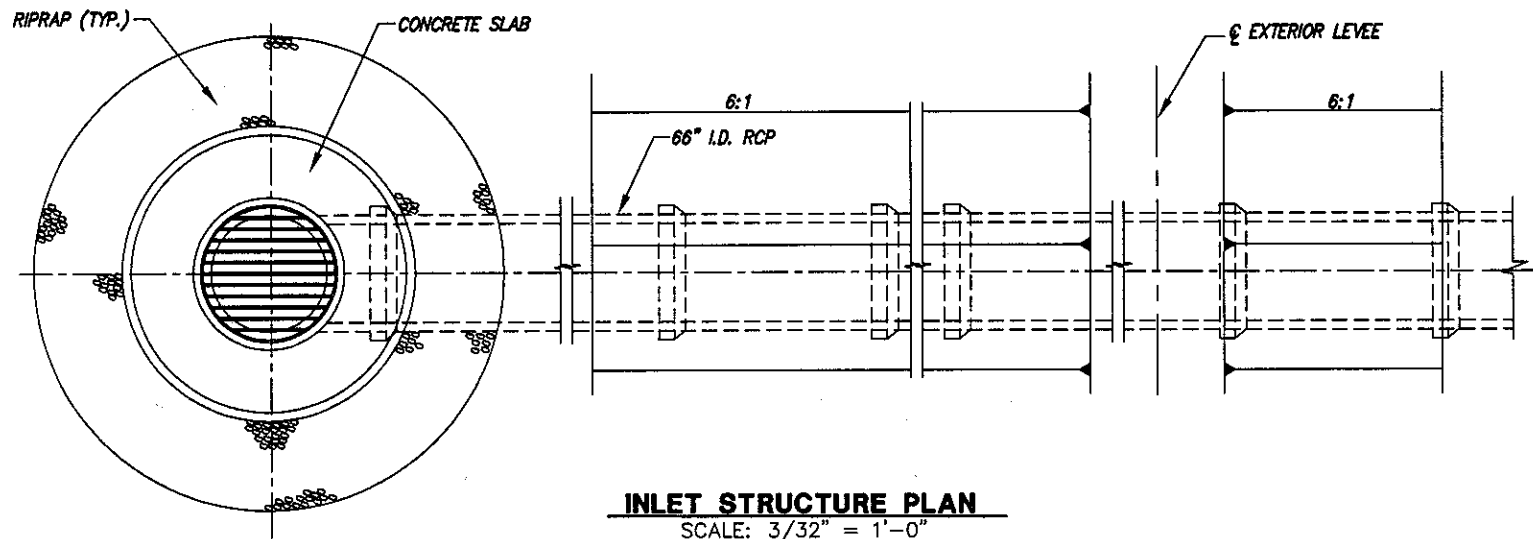


**INLET STRUCTURE SECTION**

SCALE: 3/32" = 1'-0"



**INLET STRUCTURE PLAN**

SCALE: 3/32" = 1'-0"

Source: Black and Veatch (1999).

Figure 4-19

Cadiz Groundwater Storage & Dry-Year Supply Program

Final EIR/EIS

Typical Project Spreading Basin Inlet Structure